



# BAND SAW



**Rong Fu Industrial Company Ltd.**

No. 132 Yi Chang East Road, Taiping District,  
Taichung, Taiwan  
TEL: +886-4-22771199 FAX: +886-4-22569503  
E-mail: [rongfu@rongfumfg.com](mailto:rongfu@rongfumfg.com)  
[www.rongfu.com](http://www.rongfu.com)

BS-3 08.2015.1000E



# **BAND SAW** Series



## **Company Profile**

Founded in 1975, Taiwan Rong Fu has grown in both size and capability from its original workforce of 10 people to its present modern facilities. From the beginning, Rong Fu has always followed its manufacturing new products with maximum dependability of quality to fully satisfy customers' requirement. Taiwan Rong Fu is an ISO 9001 certified company with products meet UL, CSA and CE standards. At Rong Fu, our capabilities not only provide OEM business with European manufacturers, but also manufacture customized machines.

# LIGHT DUTY BANDSAW



## RF-128

5" x 6" Step Pulley

CUTTING CAPACITY		
X° mm	○	□
0°	128 (5")	115 x 150 (4 1/2" x 6")
45°	76 (3")	76 x 115 (3" x 4 1/2")

\* Vertical cutting table is not available for CE



## RF-128HDR

2 Way Swivel Head

CUTTING CAPACITY		
X° mm	○	□
0°	128 (5")	128 x 150 (5" x 6")
±45°	95 (3 3/4")	75 x 95 (2 15/16" x 3 3/4")
60°	44 (1 3/4")	44 x 56 (1 3/4" x 2 3/16")



Optional Quick Fixture Lock vise (one way 45° swivel only) For RF-128HDR



## RF-712N

7" x 12" Step Pulley

CUTTING CAPACITY		
X° mm	○	□
0°	178 (7")	178 x 305 (7" x 12")
45°	127 (5")	120 x 125 (4 3/4" x 4 7/8")

\* Vertical cutting table is not available for CE



Tru-Lock Vise (Optional) (Patent No. 142715) For RF-712N & RF-712G



## RF-712G

7" Geared Drive

CUTTING CAPACITY		
X° mm	○	□
0°	178 (7")	178 x 305 (7" x 12")
45°	127 (5")	120 x 125 (4 3/4" x 4 7/8")



Item	Unit	RF-128	RF-128HDR	RF-712N	RF-712G
Main Motor	HP	1/3	1/3	3/4	1
Speed	Mft/min	60HZ / 24-37-61	60HZ / 24-37-61	60HZ / 27-41-59-78	60HZ / 41-60-78
		50HZ / 20-29-50	50HZ / 20-29-50	50HZ / 22-34-49-64	50HZ / 34-50-65
	Ft/min	60HZ / 80-120-200	60HZ / 80-120-200	60HZ / 90-135-195-255	60HZ / 135-197-256
		50HZ / 65-95-165	50HZ / 65-95-165	50HZ / 70-110-160-210	50HZ / 112-164-213
Saw Blade	mm (W x T x L)	12.7 x 0.65 x 1635 W/Carbon	12.7 x 0.65 x 1635 W/Carbon	20 x 0.8 x 2362 W/Carbon	20 x 0.8 x 2362 W/Carbon
	inch (W x T x L)	0.5 x 0.025 x 64.37	0.5 x 0.025 x 64.37	0.8 x 0.0315 x 93	0.8 x 0.0315 x 93
Machine Dimensions	mm (L x W x H)	895 x 457 x 985	980 x 385 x 1060	1235 x 430 x 955	1285 x 500 x 1000
	inch (L x W x H)	35.24 x 17.99 x 38.78	39 x 15 x 42	48.62 x 17 x 37.6	50.6 x 19.7 x 37
Weight	NW/GW	60 / 61 kgs	78 / 82 kgs	135 / 170 kgs	150 / 185 kgs
		132 / 134 lbs	170 / 180 lbs	300 / 375 lbs	330 / 410 lbs
Packing Dimensions	mm (L x W x H)	965 x 330 x 381 (CE 991 x 381 x 406)	1041 x 445 x 559	1308 x 457 x 965	1320 x 457 x 1117
	inch (L x W x H)	38 x 13 x 15 (CE39 x 15 x 16)	41 x 17.5 x 22	51.5 x 18 x 38	52 x 18 x 44
No. of Machines Packed in 20" container	20'	249 sets (CE190 set)	108 sets	40 sets / SKD 60 sets	40 sets



# LIGHT DUTY BANDSAW

## RF-812

8" x 12" Step Pulley

CUTTING CAPACITY		
X° mm	○	□
0°	200 (8")	178 x 305 (7" x 12")
±45°	127 (5")	120 x 125 (4 <sup>3</sup> / <sub>4</sub> " x 4 <sup>7</sup> / <sub>8</sub> "



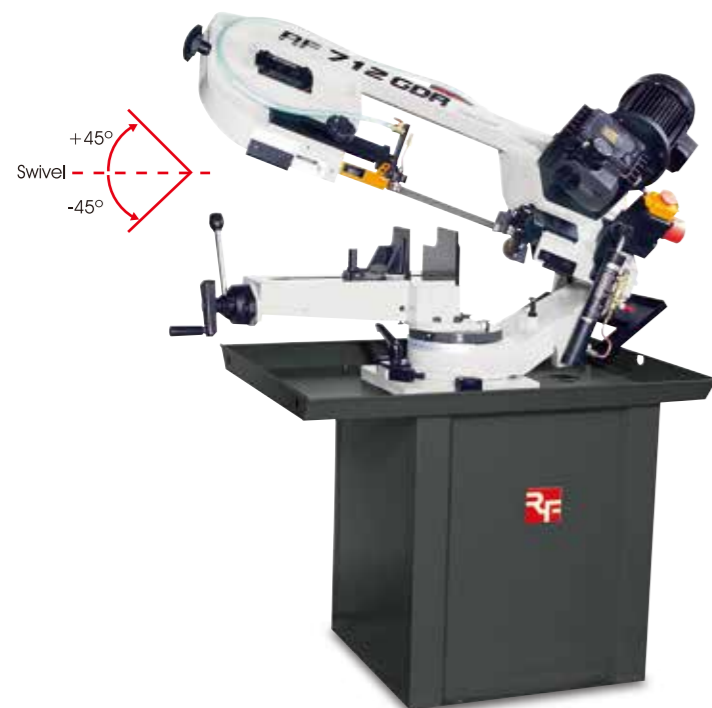
## RF-712DR

7" 2 Way Swivel

CUTTING CAPACITY		
X° mm	○	□
0°	178 (7")	178 x 210 (7" x 8 <sup>1</sup> / <sub>4</sub> "
±45°	127 (5")	85 x 140 (3 <sup>1</sup> / <sub>3</sub> " x 5 <sup>1</sup> / <sub>2</sub> "



Tru-Lock Vise (Standard)  
(Patent No. 142715)  
For RF-712DR & RF-712GDR



## RF-712GDR

7" 2 Way Swivel Geared Drive

CUTTING CAPACITY		
X° mm	○	□
0°	178 (7")	178 x 210 (7" x 8 <sup>1</sup> / <sub>4</sub> "
±45°	127 (5")	85 x 140 (3 <sup>1</sup> / <sub>3</sub> " x 5 <sup>1</sup> / <sub>2</sub> "



Item	Unit	RF-712DR	RF-712GDR	RF-812
Main Motor	HP	3/4	1	3/4 (1 or 3-Phase)
Speed	Mft/min	60HZ / 29-50-75-100	60HZ / 41-60-78	60HZ / 27-41-59-78
		50HZ / 24-41-61-82	50HZ / 34-50-65	50HZ / 22-34-49-64
	Ft/min	60HZ / 98-164-246-328	60HZ / 135-197-256	60HZ / 90-135-197-255
		50HZ / 81-135-203-270	50HZ / 112-164-213	50HZ / 70-110-160-210
Saw Blade	mm (W x T x L)	20 x 0.8 x 2362 W/BI-Metal Blade	20 x 0.8 x 2362 W/BI-Metal Blade	20 x 0.8 x 2362
	inch (W x T x L)	0.8 x 0.0315 x 93	0.8 x 0.0315 x 93	0.8 x 0.0315 x 93
Machine Dimensions	mm (L x W x H)	1240 x 620 x 1135	1245 x 889 x 1067	1235 x 430 x 955
	inch (L x W x H)	49 x 24.4 x 44.685	49 x 35 x 42	48.65 x 17 x 37.6
Weight	NW/GW	155 / 175 kgs	165 / 185 kgs	150 / 185 kgs
		340 / 385 lbs	365 / 405 lbs	330 / 407 lbs
Packing Dimensions	mm (L x W x H)	1372 x 686 x 762	1305 x 740 x 1135	1308 x 457 x 965
	inch (L x W x H)	54 x 27 x 30	52 x 28 x 34	51.5 x 18 x 38
No. of Machines Packed in 20" container	20'	36 sets / SKD	24 sets / SKD	40 sets / SKD 60 sets2

# LIGHT DUTY BANDSAW



## RF-812N

8" x 12" Step Pulley

CUTTING CAPACITY			
X° mm	○	□	□
0°	200 (8")	178 x 305 (7" x 12")	200 x 200 (8" x 8")
45°	127 (5")	120 x 125 (4 <sup>3</sup> / <sub>4</sub> " x 4 <sup>7</sup> / <sub>8</sub> ")	120 x 120 (4 <sup>3</sup> / <sub>4</sub> " x 4 <sup>3</sup> / <sub>4</sub> ")

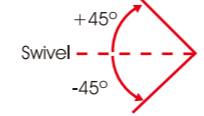


Tru-Lock Vise (Standard)  
(Patent No. 142715)  
For RF-812N & RF-812G

## RF-812G

8" x 12" Geared Drive

CUTTING CAPACITY			
X° mm	○	□	□
0°	200 (8")	178 x 305 (7" x 12")	200 x 200 (7 <sup>7</sup> / <sub>8</sub> " x 7 <sup>7</sup> / <sub>8</sub> ")
45°	127 (5")	120 x 125 (4 <sup>3</sup> / <sub>4</sub> " x 4 <sup>7</sup> / <sub>8</sub> ")	120 x 120 (4 <sup>3</sup> / <sub>4</sub> " x 4 <sup>3</sup> / <sub>4</sub> ")



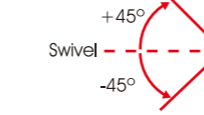
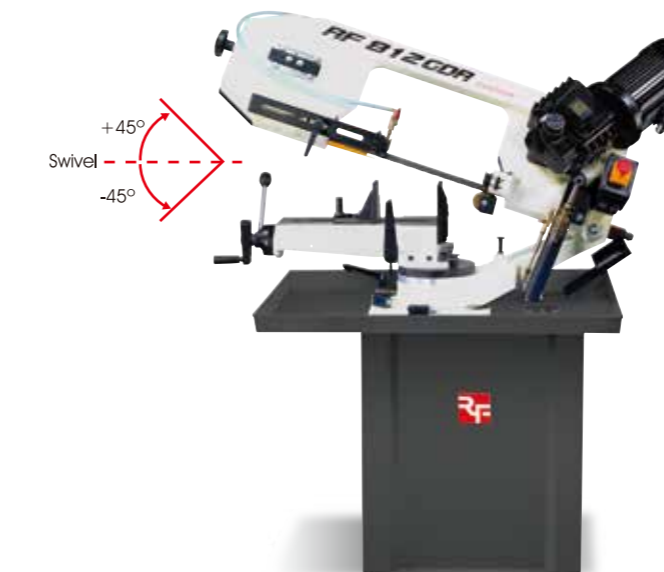
## RF-812DR

8" 2 Way Swivel

CUTTING CAPACITY		
X° mm	○	□
0°	205 (8")	215 x 205 (8 <sup>1</sup> / <sub>2</sub> " x 8")
±45°	153 (6")	153 x 115 (6" x 4 <sup>1</sup> / <sub>2</sub> ")



Tru-Lock Vise (Standard)  
(Patent No. 142715)  
For RF-812DR & RF-812GDR



## RF-812GDR

8" 2 Way Swivel Geared Drive

CUTTING CAPACITY		
X° mm	○	□
0°	205 (8")	215 x 205 (8 <sup>1</sup> / <sub>2</sub> " x 8")
±45°	153 (6")	153 x 115 (6" x 4 <sup>1</sup> / <sub>2</sub> ")



Item	Unit	RF-812N	RF-812G	RF-812DR	RF-812GDR
Main Motor	HP	3/4	1	3/4	1
Speed	Mft/min	60HZ / 29-50-75-100	60HZ / 41-60-78	60HZ / 29-50-75-100	60HZ / 41-60-78
		50HZ / 24-41-61-82	50HZ / 34-50-65	50HZ / 24-41-61-82	50HZ / 34-50-65
	Ft/min	60HZ / 98-164-246-328	60HZ / 135-197-256	60HZ / 98-164-246-328	60HZ / 135-197-256
		50HZ / 81-134-203-270	50HZ / 112-164-213	50HZ / 81-135-203-270	50HZ / 112-164-213
Saw Blade	mm (W x T x L)	20 x 0.8 x 2362 W/Carbon	20 x 0.8 x 2362	20 x 0.8 x 2362	20 x 0.8 x 2362
	inch (W x T x L)	0.8 x 0.0315 x 93	0.8 x 0.0315 x 93	0.8 x 0.0315 x 93	0.8 x 0.0315 x 93
Machine Dimensions	mm (L x W x H)	1235 x 430 x 1100	1235 x 430 x 1100	1240 x 650 x 1200	1230 x 650 x 1370
	inch (L x W x H)	49 x 17 x 43	49 x 17 x 43	49 x 24.4 x 44.70	49 x 25.5 x 54
Weight	NW/GW	180 / 200 kgs	195 / 215 kgs	180 / 200 kgs	195 / 215 kgs
		395 / 440 lbs	430 / 475 lbs	395 / 440 lbs	430 / 475 lbs
Packing Dimensions	mm (L x W x H)	1305 x 485 x 1143	1310 x 515 x 1150	1320 x 749 x 760	1370 x 710 x 900
	inch (L x W x H)	51.5 x 19 x 45	51.5 x 20 x 47	52 x 29 x 30	54 x 28 x 35.5
No. of Machines Packed in 20" container	20'	40 sets	30 sets	36 sets / SKD	24 sets / SKD

# LIGHT DUTY BANDSAW

## RF-912B

9" Step Pulley

CUTTING CAPACITY		
X° mm	○	□
0°	229 (9")	200 x 305 (8" x 12")
45°	150 (6")	127 x 150 (5" x 6")



Tru-Lock Vise (Standard)  
(Patent No. 142715)  
For RF-912B



## RF-912G

9" Geared Drive

CUTTING CAPACITY		
X° mm	○	□
0°	229 (9")	178 x 305 (7" x 12")
45°	150 (6")	127 x 150 (5" x 6")



Tru-Lock Vise (Standard)  
(Patent No. 142715)  
For RF-912G



Item	Unit	RF-912B	RF-912G
Main Motor	HP	1	1
Speed	Mft/min	60HZ / 32-60-88-115	60HZ / 45-66-86
		50HZ / 26-50-73-95	50HZ / 38-55-72
	Ft/min	60HZ / 105-196-288-377	60HZ / 148-216-282
Saw Blade	mm (W x T x L)	27 x 0.9 x 2655	27 x 0.9 x 2655
	inch (W x T x L)	1.06 x 0.035 x 104.5	1.06 x 0.035 x 104.5
Machine Dimensions	mm (L x W x H)	1380 x 460 x 1050	1325 x 630 x 1080
	inch (L x W x H)	54.3 x 18 x 41.3	52 x 25 x 43
Weight	NW/GW	160 / 185 kgs	175 / 205 kgs
		355 / 405 lbs	385 / 450 lbs
Packing Dimensions	mm (L x W x H)	1140 x 510 x 1125	1473 x 508 x 1270
	inch (L x W x H)	57 x 20 x 44.5	58 x 20 x 50
No. of Machines Packed in 20" container	20'	30 sets	14 sets

# LIGHT DUTY BANDSAW



## RF-916S

9" x 16" Step Pulley

CUTTING CAPACITY		
X° mm	○	□
0°	229 (9")	406 x 127 (16" x 5")
45°	229 (9")	241 x 203 (9.5" x 8")



RF-916S

Hydraulic tension meter (Optional)



## RF-916sv

9" x 16" Variable Speed

CUTTING CAPACITY		
X° mm	○	□
0°	229 (9")	406 x 127 (16" x 5")
45°	229 (9")	241 x 203 (9.5" x 8")



## RF-1018S

10" x 18" Step Pulley

CUTTING CAPACITY		
X° mm	○	□
0°	254 (10")	127 x 468 (5" x 18 <sup>3</sup> / <sub>8</sub> ")
45°	150 (6")	175 x 239 (7" x 9 <sup>3</sup> / <sub>8</sub> ")



RF-1018SV



Tru-Lock Vise (Standard)  
For RF-1018S & RF-1018SV



## RF-1018sv

10" x 18" Variable Speed

CUTTING CAPACITY		
X° mm	○	□
0°	254 (10")	127 x 468 (5" x 18 <sup>3</sup> / <sub>8</sub> ")
45°	150 (6")	175 x 239 (7" x 9 <sup>3</sup> / <sub>8</sub> ")



Item	Unit	RF-916S	RF-916SV	RF-1018S	RF-1018SV
Main Motor	HP	1.5	1.5	2	2
Speed	Mft/min	60HZ / 35-60-88-115	60HZ / 22~95	60HZ / 35-60-88-115	60HZ / 22~95
		50HZ / 29-50-73-96	50HZ / 18~78	50HZ / 29-50-73-96	50HZ / 18~78
	Ft/min	60HZ / 114-196-288-377	60HZ / 73~312	60HZ / 114-196-228-377	60HZ / 75~310
		50HZ / 95-164-239-314	50HZ / 59~256	50HZ / 95-164-239-314	50HZ / 62~265
Saw Blade	mm (W x T x L)	27 x 0.9 x 2910	27 x 0.9 x 2910	27 x 0.9 x 3090	27 x 0.9 x 3090
	inch (W x T x L)	1.06 x 0.035 x 114.57	1.06 x 0.035 x 114.57	1.06 x 0.035 x 121.66	1.06 x 0.035 x 121.66
Machine Dimensions	mm (L x W x H)	1580 x 549 x 1229	1580 x 549 x 1229	1720 x 620 x 1055	1720 x 620 x 1055
	inch (L x W x H)	62.2 x 21.6 x 48.4	62.2 x 21.6 x 48.4	67.7 x 24.4 x 41.5	67.7 x 24.4 x 41.5
Weight	NW/GW	280 / 310 kgs	280 / 310 kgs	320 / 350 kgs	320 / 350 kgs
		620 / 680 lbs	620 / 680 lbs	706 / 772 lbs	706 / 772 lbs
Packing Dimensions	mm (L x W x H)	1700 x 625 x 1235	1700 x 625 x 1235	1790 x 670 x 1155	1790 x 670 x 1155
		(SKD 1680 x 485 x 1145)	(SKD 1680 x 485 x 1145)	(SKD 1790 x 560 x 1055)	(SKD 1790 x 560 x 1055)
		inch (L x W x H)	67 x 25 x 49	67 x 25 x 49	70.5 x 26.5 x 45.5
		(SKD 66 x 19 x 45)	(SKD 66 x 19 x 45)	(SKD 70.5 x 22 x 41.5)	(SKD 70.5 x 22 x 41.5)
No. of Machines Packed in 20" container	20'	18 sets (SKD 30 sets)	18 sets (SKD 30 sets)	9 sets (SKD 24 sets)	9 sets (SKD 24 sets)

# HEAVY DUTY / SEMI-AUTO BANDSAW

## RF-1018SRV

Swivel Base, Variable Speed

### CUTTING CAPACITY

X° mm	○	□
0°	254 (10")	254 x 430 (10" x 17")
45°	240 (9 1/2")	220 x 240 (8 5/8" x 9 1/2")

CE 177337



Tru-Lock Vise (Standard)  
For RF-1018SRV



With 45 degrees swivel  
base but work piece stay  
still during swiveling.



Hydraulic tension  
meter (Optional)



## RF-335SRV (Manual)

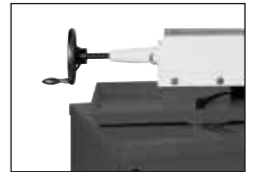
## RF-335SRVA (Semi-Auto Saw Bow Lifting)

Swivel Base, Variable Speed

### CUTTING CAPACITY

X° mm	○	□	□
0°	330 (13")	127 x 483 (5" x 19")	305 x 305 (12" x 12")
45°	305 (12")	229 x 305 (9" x 12")	280 x 280 (11" x 11")

CE



With 45 degrees swivel  
base but work piece stay  
still during swiveling.

Item	Unit	RF-1018SRV	RF-335SRV	RF-335SRVA
Main Motor	HP	2	3	3
Speed	Mt/min	60HZ / 22~95	60HZ / 36~96	60HZ / 36~96
		50HZ / 18~78	50HZ / 30~80	50HZ / 30~80
	Ft/min	60HZ / 72~312	60HZ / 118~315	60HZ / 118~315
Saw Blade	mm (W x T x L)	27 x 0.9 x 3090	27 x 0.9 x 3810	27 x 0.9 x 3810
	inch (W x T x L)	1.06 x 0.035 x 121.66	1.06 x 0.035 x 150	1.06 x 0.035 x 150
Machine Dimensions	mm (L x W x H)	1750 x 650 x 1100	2030 x 750 x 1280	2030 x 750 x 1280
	inch (L x W x H)	68.9 x 25.6 x 40.3	83 x 31 x 50	83 x 31 x 50
Weight	NW/GW	380 / 420 kgs	450 / 490 kgs	450 / 490 kgs
		840 / 925 lbs	990 / 1080 lbs	990 / 1080 lbs
Packing Dimensions	mm (L x W x H)	1790 x 740 x 1145	2085 x 825 x 1420	2085 x 825 x 1420
		(SKD 1790 x 715 x 1055)		
	inch (L x W x H)	70.5 x 29 x 45	82 x 32.5 x 56	82 x 32.5 x 56
	(SKD 70.5 x 28.5 x 41.5)			
No. of Machines Packed in 20' container	20'	9 sets / SKD 18 sets	7 sets	7 sets



# HEAVY DUTY / SEMI-AUTO BANDSAW

## RF-1018R (Manual) RF-1018RV (Variable Speed)

Swivel Base

CUTTING CAPACITY			
$\alpha^\circ$ mm	○	□	□
0°	254 (10")	254 x 400 (10" x 15.1")	254 x 385 (10" x 15.1")
45°	200 (7.8")	200 x 200 (7.8" x 7.8")	200 x 200 (7.8" x 7.8")



Swivel Base for RF-1018R / RV



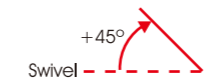
Hydraulic tension meter (Optional)



▲ RF-1018RV

## RF-1018RVAA (Variable Speed & Semi-Auto Swivel Base Saw Bow Lifting & Hydraulic Vise)

CUTTING CAPACITY			
$\alpha^\circ$ mm	○	□	□
0°	254 (10")	254 x 400 (10" x 15.1")	254 x 385 (10" x 15.1")
45°	200 (7.8")	200 x 200 (7.8" x 7.8")	200 x 200 (7.8" x 7.8")



Swivel Base for RF-1018RVAA



▲ RF-1018RVAA

Item	Unit	RF-1018R	RF-1018RV	RF-1018RVAA
Main Motor	HP	2 (1.5kw)(3-Phase)	2 (1.5kw)(3-Phase)	2 (1.5kw)(3-Phase)
Speed	Mt/min	60HZ / 30, 60, 88, 115	60HZ / 30~110	60HZ / 30~110
	Ft/min	60HZ / 114, 196, 288, 377	60HZ / 98~360	60HZ / 98~360
Saw Blade	mm (W x T x L)	27 x 0.9 x 3090	27 x 0.9 x 3090	27 x 0.9 x 3090
	inch (W x T x L)	1.06 x 0.045 x 121.6	1.06 x 0.045 x 121.6	1.06 x 0.045 x 121.6
Machine Dimensions	mm (L x W x H)	1800 x 820 x 1280	2075 x 820 x 1280	2075 x 820 x 1280
	inch (L x W x H)	70.9 x 32.3 x 50.4	81.7 x 32.3 x 50.4	81.7 x 32.3 x 50.4
Weight	NW/GW	390 / 430 kgs	390 / 430 kgs	420 / 470 kgs
		860 / 945 lbs	860 / 945 lbs	925 / 1035 lbs
Packing Dimensions	mm (L x W x H)	1730 x 830 x 1160	1730 x 830 x 1160	1730 x 830 x 1160
	inch (L x W x H)	68.1 x 32.7 x 45.7	68.1 x 32.7 x 45.7	68.1 x 32.7 x 45.7
No. of Machines Packed in 20' container	20'	7 (by SKD 14) sets	7 (by SKD 14) sets	7 (by SKD 14) sets
	40'	14 (by SKD 28) sets	14 (by SKD 28) sets	14 (by SKD 28) sets

# HEAVY DUTY / SEMI-AUTO BANDSAW

## RF-335RV RF-335RVAA (Semi-Auto Saw Bow Lifting & Swivel Base, Variable Speed Hydraulic Vise)

CUTTING CAPACITY			
X° mm	○	□	□
0°	330 (13")	225 x 530 (8.85" x 20.86")	330 x 330 (13" x 13")
45°	275 (10.8")	275 x 300 (10.8" x 11.8")	275 x 275 (10.8" x 10.8")



## RF-335A / RF-335AA

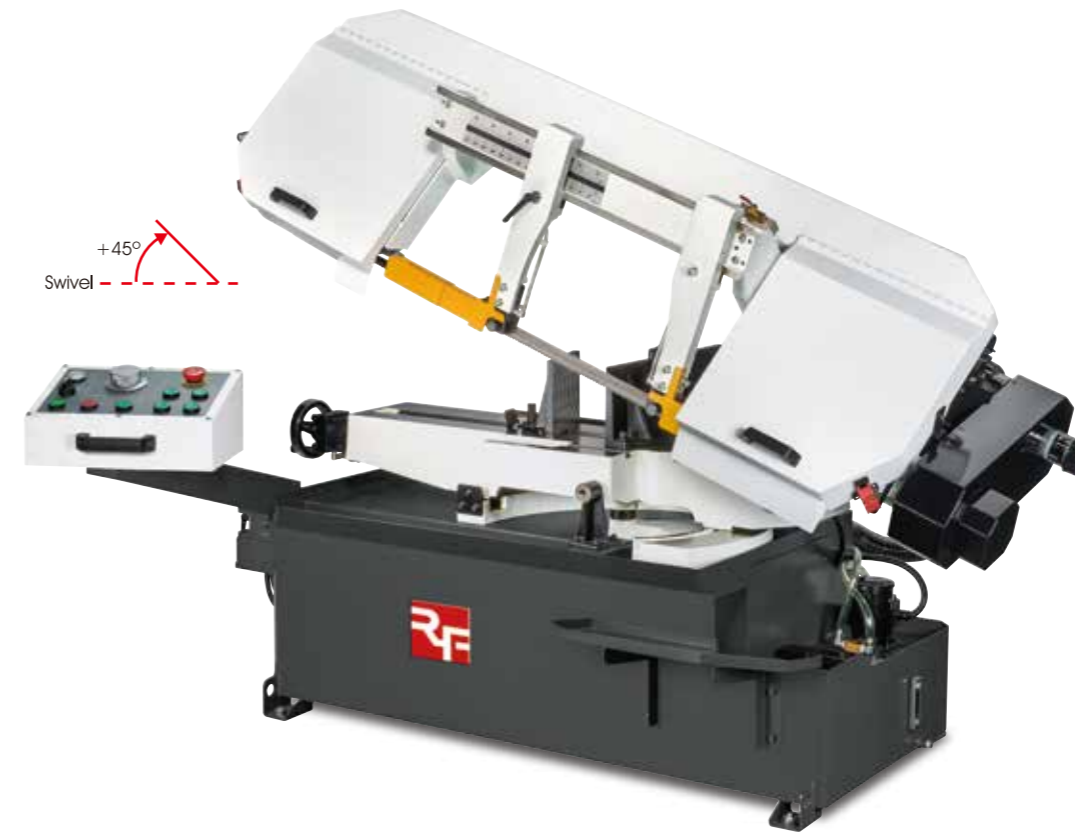
CUTTING CAPACITY			
X° mm	○	□	□
0°	330 (13")	225 x 530 (8.85" x 20.86")	330 x 330 (13" x 13")
45°	275 (10.8")	275 x 300 (10.8" x 11.8")	275 x 275 (10.8" x 10.8")



Hydraulic tension meter (Optional)



Swivel Base for RF-335RV / RF-335RVAA



Item	Unit	RF-335A / 335AA	RF-335RV / RF-335RVAA
Main Motor	HP	3 (2.2kw)(3-Phase)	3 (2.2kw)(3-Phase)
Speed	Mt/min	60HZ / 25, 40, 56, 85	60HZ / 25~90
	Ft/min	60HZ / 82, 131, 183, 278	60HZ / 82~295
Saw Blade	mm (W x T x L)	34 x 1.1 x 4100	34 x 1.1 x 4100
	inch (W x T x L)	1-3/8 x 0.043 x 161.4	1.34 x 0.043 x 161.4
Machine Dimensions	mm (L x W x H)	2200 x 860 x 1360	2200 x 860 x 1240
	inch (L x W x H)	86.6 x 33.8 x 53.5	86.6 x 33.8 x 48.8
Weight	NW/GW	580 / 640 kgs	700 / 760 kgs
		1275 / 1410 lbs	1540 / 1670 lbs
Packing Dimensions	mm (L x W x H)	2250 x 825 x 1400	2200 x 825 x 1400
	inch (L x W x H)	88.5 x 32.5 x 55	86.6 x 32.5 x 55
No. of Machines Packed in 20" container	20'	7 sets	7 sets
	40'	14 sets	14 sets



# HEAVY DUTY / SEMI-AUTO BANDSAW

**RF-250N** (Manual)

**RF-250NA** (Semi-Auto Saw Bow Lifting)

**RF-250NAA** (Semi-Auto Saw Bow Lifting & Hydraulic Vise)

10" x 18" 2 Way Swivel Variable Speed

**RF-250s** 10" x 18" 2 Way Swivel Variable Speed

CUTTING CAPACITY			
$\chi^\circ$ mm	○	□	□
0°	254 (10")	76 x 458 (3" x 18")	254 x 254 (10" x 10")
±45°	254 (10")	254 x 280 (10" x 11")	254 x 254 (10" x 10")
60°	204 (8")	127 x 204 (5" x 8")	178 x 178 (7" x 7")



Optional extra stand



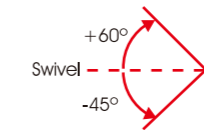
Hydraulic tension meter (Optional)



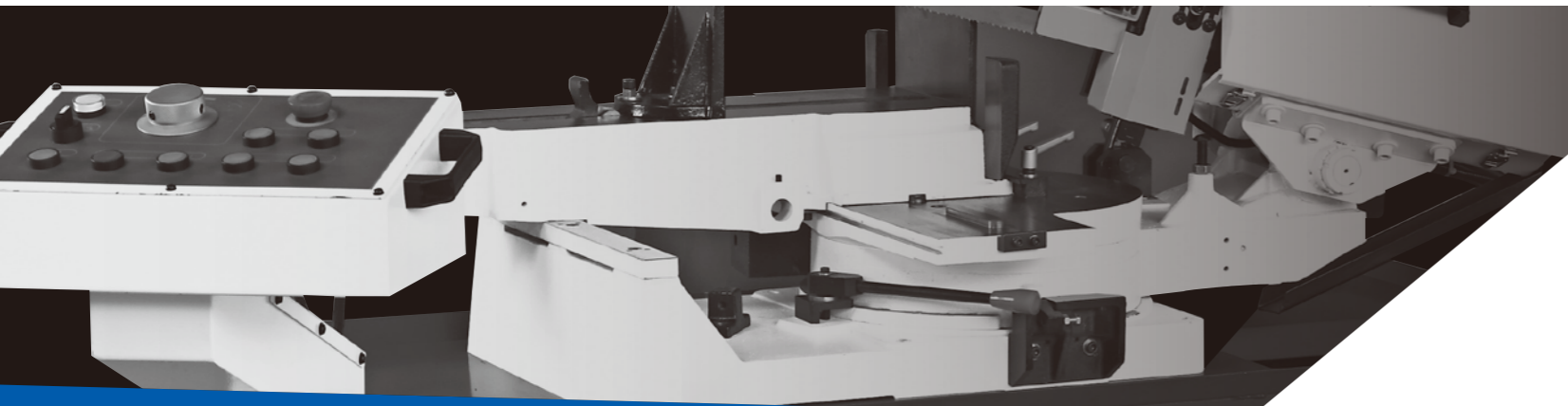
Hydraulic saw arm lifting system for RF-250NA & RF-250NAA



Hydraulic Vise for RF-250NAA



Item	Unit	RF-250S	RF-250N	RF-250NA	RF-250NAA
Main Motor	HP	2	2	2	2
Speed	Mt/min	60HZ / 30~120	60HZ / 30~120	60HZ / 30~120	60HZ / 30~120
		50HZ / 25~100	50HZ / 25~100	50HZ / 25~100	50HZ / 25~100
	Ft/min	60HZ / 98~393	60HZ / 98~393	60HZ / 98~393	60HZ / 98~393
Saw Blade	mm (W x T x L)	27 x 0.9 x 3352	27 x 0.9 x 3352	27 x 0.9 x 3352	27 x 0.9 x 3352
	inch (W x T x L)	1.06 x 0.035 x 132	1.06 x 0.035 x 132	1.06 x 0.035 x 132	1.06 x 0.035 x 132
Machine Dimensions	mm (L x W x H)	1840 x 700 x 1080	1930 x 700 x 1524	1930 x 700 x 1524	1930 x 700 x 1524
	inch (L x W x H)	72.4 x 27.5 x 42.5	76 x 27.5 x 60	76 x 27.5 x 60	76 x 27.5 x 60
Weight	NW/GW	420 / 460 kgs	530 / 570 kgs	580 / 630 kgs	580 / 630 kgs
		925 / 1015 lbs	1165 / 1255 lbs	1279 / 1385 lbs	1279 / 1385 lbs
Packing Dimensions	mm (L x W x H)	2004 x 917 x 1207	1994 x 944 x 1507	1900 x 940 x 1460	1900 x 940 x 1460
	inch (L x W x H)	79 x 35.5 x 44.5	75 x 37 x 57.5	75 x 37 x 57.5	75 x 37 x 57.5
No. of Machines Packed in 20" container	20'	12 sets	6 sets	6 sets	6 sets



# HEAVY DUTY / SEMI-AUTO BANDSAW

**RF-330N** (Manual)

**RF-330NA** (Semi-Auto Saw Bow Lifting)

**RF-330NAA** (Semi-Auto Saw Bow Lifting & Hydraulic Vise)

2 Way Swivel Variable Speed

**CUTTING CAPACITY**

X° mm	○	□	□
0°	330 (13")	127 x 458 (5" x 18")	305 x 305 (12" x 12")
±45°	305 (12")	229 x 305 (9" x 12")	280 x 280 (11" x 11")
60°	204 (8")	178 x 204 (7" x 8")	204 x 204 (8" x 8")



Hydraulic saw arm lifting system for RF-330NA & RF-330NAA



Hydraulic Vise for RF-330NAA



Hydraulic tension meter (Optional)



**RF-20S** (Manual)

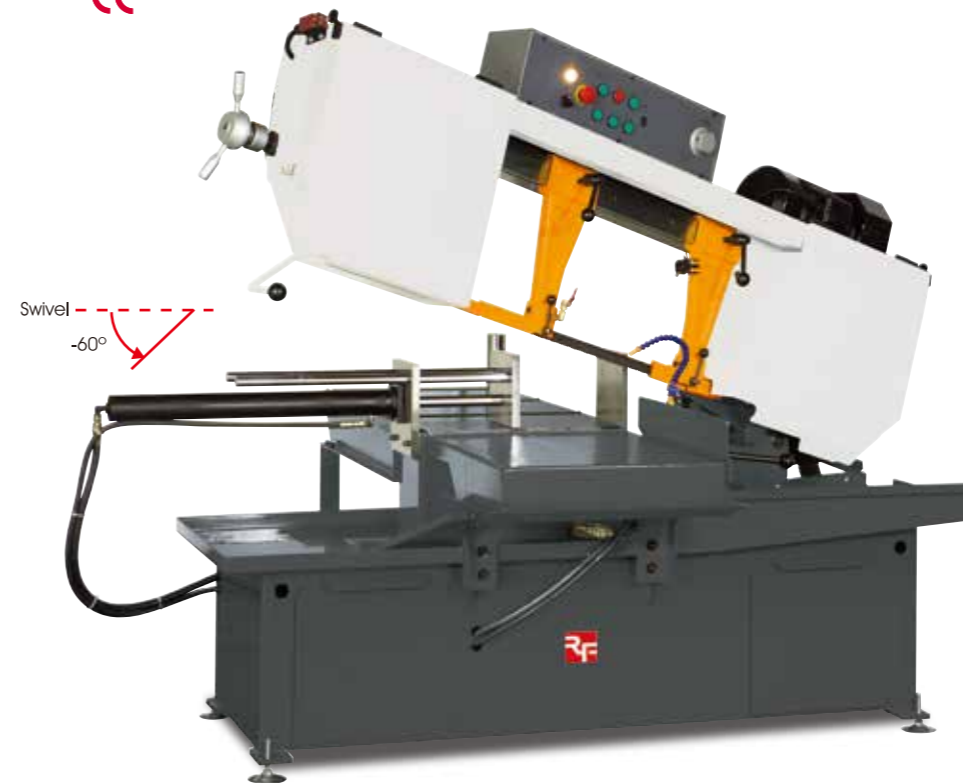
**RF-20SA** (Semi-Auto Saw Bow Lifting)

**RF-20SAA** (Semi-Auto Saw Bow Lifting & Hydraulic Vise)

13" x 18" One Way Swivel Variable Speed

**CUTTING CAPACITY**

X° mm	○	□
0°	330 (13")	330 x 457 (13" x 18")
-45°	280 (11")	330 x 280 (13" x 11")
-60°	175 (6 <sup>7/8</sup> ")	250 x 175 (10" x 6 <sup>7/8</sup> ")



RF-20S, RF-20SA, Manual Tru-Lock Vise



Rear Roller Table-Standard Accessory



Hydraulic Vise for RF-20SAA



Larger platform to avoid work-piece drop

Item	Unit	RF-330N	RF-330NA	RF-330NAA	RF-20S	RF-20SA	RF-20SAA
Main Motor	HP		2			3	
Speed	Mt/min		60HZ / 30~120			60HZ / 30~80	
			50HZ / 25~100			50HZ / 25~67	
	Ft/min		60HZ / 98~393			60HZ / 98~262	
Saw Blade	mm (W x T x L)		27x 0.9 x 3810			27 x 0.9 x 4220	
	inch (W x T x L)		1.06 x 0.035 x 150			1.06 x 0.035 x 166.1	
Machine Dimension	mm (L x W x H)		2030 x 1315 x 1425			2075 x 1910 x 1350	
	inch (L x W x H)		80 x 51.7 x 56.1			81.7 x 75.1 x 53.1	
Weight	NW/GW	590 / 630 kgs	610 / 650 kgs		640 / 710 kgs	660 / 730 kgs	
		1301 / 1389 lbs	1345 / 1390 lbs		1411 / 1565 lbs	1450 / 1605 lbs	
Packing Dimension	mm (L x W x H)		2120 x 940 x 1515			2286 x 800 x 1524	
	inch (L x W x H)		83.5 x 37 x 60			90 x 31.5 x 60	
No. of Machines Packed in 20" container	20'		6 sets			7 sets	

# HEAVY DUTY / SEMI-AUTO BANDSAW

## RF-300 (Semi-Auto Saw Bow Lifting & Hydraulic Vise)

Variable Speed (Optional)

CUTTING CAPACITY			
X° mm	○	□	□
0°	300 (11.8")	300 x 500 (11.8" x 19.6")	300 x 300 (11.8" x 11.8")



## RF-300R (Semi-Auto Saw Bow Lifting & Hydraulic Vise)

Swivel Base, Variable Speed (Optional)

CUTTING CAPACITY			
X° mm	○	□	□
0°	300 (11.8")	300 x 432 (11.8" x 17")	300 x 300 (11.8" x 11.8")
45°	300 (11.8")	203 x 300 (8" x 11.8")	255 x 255 (10" x 10")



## RF-300A (Semi-Auto Saw Bow Lifting & Hydraulic Vise)

Auto Feed System, Variable Speed (Optional)

CUTTING CAPACITY			
X° mm	○	□	□
0°	300 (11.8")	300 x 355 (11.8" x 14")	300 x 300 (11.8" x 11.8")

ROLLER FEED	
Roller Feed Size	W355 x H175 (14" x 6.8")
Roller Feed Speed	1330 mm/min



Optional Variable Speed (22-84 mpm) (72-275 fpm)



RF-300R-Swivel Base



RF-300A-Auto Feed System



Hydraulic tension meter (Optional)



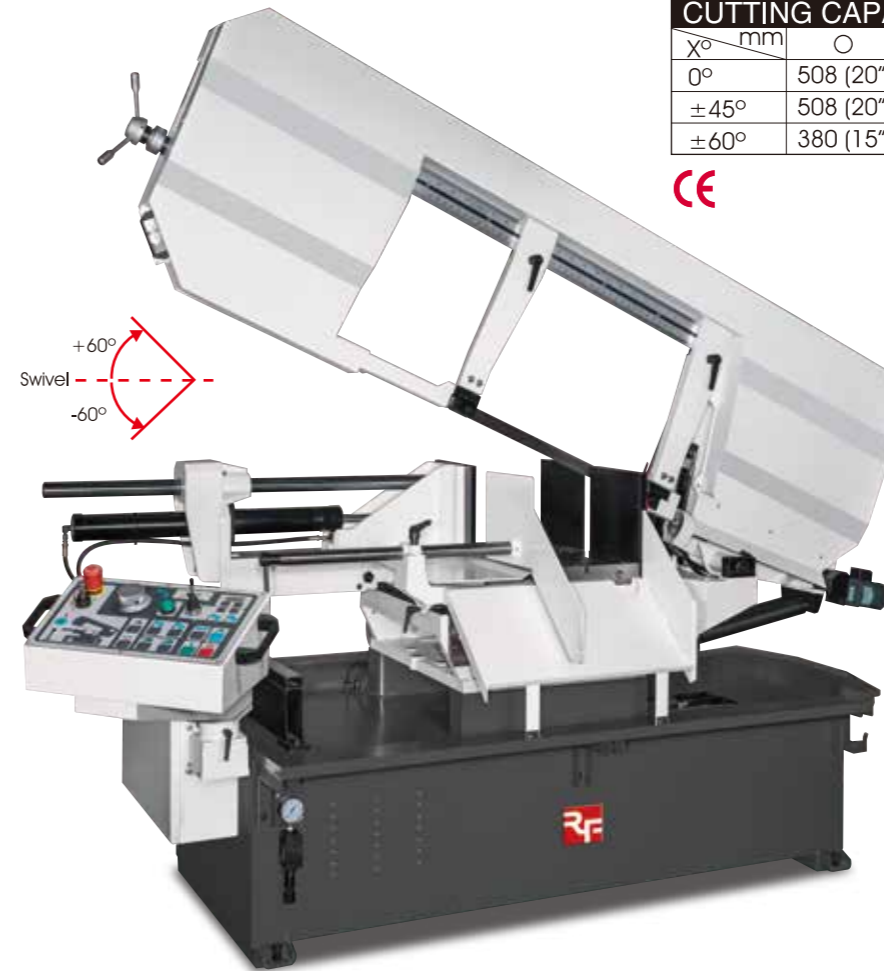
## RF-500DSA

## RF-500DSA (Auto Swivel)

2 Way Swivel, Variable Speed

Semi Auto Saw Bow Lifting & Hydraulic Vise

CUTTING CAPACITY			
X° mm	○	□	□
0°	508 (20")	660 x 508 (26" x 20")	508 x 508 (20" x 20")
±45°	508 (20")	590 x 260 (23 1/4" x 10 1/4")	508 x 508 (20" x 20")
±60°	380 (15")	460 x 360 (18" x 14")	380 x 380 (15" x 15")



Control Box



Reducer for Auto Swivel

Item	Unit	RF-300	RF-300R	RF-300A	RF-500DSA	RF-500DSA (Auto Swivel)
Main Motor	HP	3 (2.2kw)(3-Phase)	3 (2.2kw)(3-Phase)	3 (2.2kw)(3-Phase)	Main Motor / 5HP Hydraulic Motor / 2HP Coolant Pump / 1/8HP	Main Motor / 5HP Hydraulic Motor / 2HP Coolant Pump / 1/8HP
Speed	Mt/min	60HZ / 26, 48, 69, 100 mpm 50HZ / 22, 40, 58, 84 mpm	60HZ / 26, 48, 69, 100 mpm 50HZ / 22, 40, 58, 84 mpm	60HZ / 26, 48, 69, 100 mpm 50HZ / 22, 40, 58, 84 mpm	60HZ / 32~96 50HZ / 26~80	60HZ / 32~96 50HZ / 26~80
	Ft/min	60HZ / 86, 157, 228, 330 50HZ / 72, 131, 190, 275	60HZ / 86, 157, 228, 330 50HZ / 72, 131, 190, 275	60HZ / 86, 157, 228, 330 50HZ / 72, 131, 190, 275	60HZ / 106~317 50HZ / 85~264	60HZ / 106~317 50HZ / 85~264
Saw Blade	mm (W x T x L)	34 x 1.1 x 3950	34 x 1.1 x 3950	34 x 1.1 x 3950	41 x 1.3 x 5890	41 x 1.3 x 5890
	inch (W x T x L)	1-3/8" x 0.043 x 155.5	1-3/8" x 0.043 x 155.5	1-3/8" x 0.043 x 155.5	1.61" x 0.05" x 231.88"	1.61" x 0.05" x 231.88"
Machine Dimensions	mm (L x W x H)	2057 x 1080 x 1384	2100 x 1140 x 1520	2100 x 1100 x 1400	3000 x 1270 x 1730	3000 x 1270 x 1730
	inch (L x W x H)	81 x 42.5 x 54.5	82.6 x 44.9 x 59.8	83 x 31 x 50	118" x 50" x 68"	118" x 50" x 68"
Weight	NW/GW	700 / 760 kgs 1540 / 1675 lbs	740 / 800 kgs 1630 / 1760 lbs	740 / 800 kgs 1630 / 1760 lbs	1590 / 1800 kgs 3505 / 3968 lbs	1650 / 1860 kgs 3635 / 4095 lbs
	Packing Dimensions	mm (L x W x H) inch (L x W x H)	1940 x 1140 x 1530 76.4 x 44.8 x 60.2	1940 x 1140 x 1530 76.4 x 44.8 x 60.3	1940 x 1140 x 1530 76.4 x 44.8 x 60.2	2930 x 1140 x 1981 115.3" x 44.8" x 78"
No. of Machines Packed in 20" container	20'	6 sets	6 sets	6 sets	4 sets/SKD	4 sets/SKD
	40'	12 sets	12 sets	12 sets	-	-

## OPTIONAL ACCESSORIES

### For 7" and UP Series



Magnetic switch



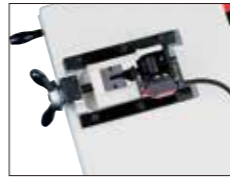
Tru-lock vise  
(Patent NO.142715)



Geared drive motor  
High efficiency motor available  
(712G / 712GDR / 812G / 812GDR / 912G)



Hydraulic tension  
meter (Optional)



Limit switch on blade  
tension for safety  
protection



Hydraulic vise  
for "AA" series



Rack type sliding & quick  
positioning vise (RF-250NA,  
RF-330NA, RF-335A series)



Swivel angle



Laser pointer (battery)

### Roller Tables & Stock Stands

#### Roller Tables Stock Stand



RT-001



RT-003



RT-002

#### Single Roller Stock Stand



RS-001



RS-002

Model No.	Unit	RT-001	RT-002	RT-003
Specifications	mm	2020 X 328 X 765	1080 x 470 x 170	1730 x 510 x 170
Weight	kgs	72	27	56
Max. Loaded Weight	kgs	150	250	200
Adjustable Height	mm	765 ~ 1060	650~1100	680~1130

Model No.	Unit	RS-001	RS-002
Weight	kgs	9.4	20
Max. Loaded Weight	kgs	50	250
Adjustable Height	mm	680~1140	580~970

## CIRCULAR SAW

**RF-225cs**  
**RF-250cs**  
**RF-315cs**  
**RF-350cs**

Circular Coldsaw



Stand is Optional



RF-225CS,  
Bench type

### CUTTING CAPACITY

		RF-225CS	RF-250CS	RF-315CS	RF-350CS
45°	●	25 mm	35 mm	70 mm	75 mm
	○	60 mm	65 mm	90 mm	100 mm
	□	60 x 60 mm	58 x 58 mm	80 x 80 mm	85 x 85 mm
	■	65 x 50 mm	70 x 50 mm	85 x 70 mm	85 x 70 mm
90°	●	30 mm	40 mm	80 mm	85 mm
	○	65 mm	75 mm	100 mm	120 mm
	□	65 x 65 mm	65 x 65 mm	90 x 90 mm	105 x 105 mm
	■	80 x 55 mm	90 x 50 mm	115 x 70 mm	160 x 90 mm

\* Saw Blade (optional)

Specification	Unit	RF-225CS	RF-250CS	RF-315CS	RF-350CS
Main Power	HP	1	1.3	2.2	2.2 HP
Oil Bath Reduction Gear Box	mm	27:1	33:1	34:1	32:1
Maximum Blade Size	mm	225	250	315	350
Blade Revolution speed	rpm	52	42	42/84	42/84   21/42
Vice Opening	mm	80	100	120	170
Weight Of The Machine W/o Stand	mm	-	85	140	190
Weight Of The Machine With Stand	mm	40	105	165	228
Dimensions Of The Machine W/o Stand	mm	-	900 x 550 x 600	1100 x 700 x 800	1000 x 1380 x 1910

## SINGLE PURPOSE MACHINE



Single Purpose Machine ---- OEM, Customized Design  
This machine was made for window frame slots, for  
double the mass production volume and efficiency.

